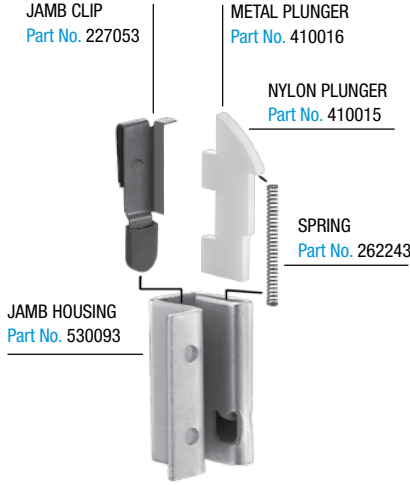


# Worley

## COMPLETE JAMB ASSEMBLY Part No. 530100

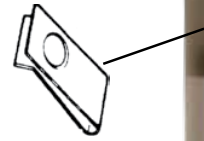


## COMPLETE ASSEMBLY Part No. 420303



LOCKING BAR ASSEMBLY LOCKING BARS  
INCLUDE TINNEMAN CLIP  
Part No. 227047

TINNEMAN CLIP  
Part No. 227047



## Lock Bar Dimensions

| PART NO. | ACTUAL LENGTH | LOCKER DOOR HEIGHT |
|----------|---------------|--------------------|
| 532208   | 25-29/64"     | 30"                |
| 532223   | 31-23/64"     | 36"                |

RUBBER BUMPER  
Part No. 301678



HANDLE-BUMPER  
BOX ASSEMBLY  
Part No. 530099



JAMB FOR GRAVITY LATCH  
Part No. 530115



LOCKER HANDLE SCREW  
8-32 x 5/16 ST  
Part No. 703309



4-HOLE HINGE  
(New Style)  
Part No. 420016



LOCKER HANDLE  
Part No. 900100

LOCK BAR RIVET  
(Old Style)



LOCK BAR RIVET  
(New Style)  
Part No. 421007



If in Doubt, Please Send a Sample

## Telescopic Bleacher

### FOR AN ACCURATE QUOTE PLEASE SPECIFY:



Call for a Quote  
& Brochure

1. Bleacher Manufacturer.
2. Approximate Year Installed
3. How Many Sections Do You Have?
4. How Wide are the Sections?
5. How Many Rows High Are Your Bleachers?
6. Wood or Synthetic Gym Floor?
7. Are the Bleachers Portable?
8. Your Shipping Zip Code

## Bleacher Buddy — Move Your Bleachers . . . with Ease!



Bleacher Buddy will help extend and stack your bleachers. The Bleacher Buddy will help to operate bleachers up to 30 rows high. Optional attaching brackets may be needed for some models of existing bleachers.

### SPECIFICATIONS:

- 1/2 Horsepower Electric Motor
- Gear Ratio 144/1 (20' per minute)
- Forward and Reverse Capability
- 100' Long Cord Included
- Stand on Platform for Better Traction
- Additional Brackets may be Required
- 2-3 Weeks Delivery

### BLEACHER BUDDY MOTOR

- 1/2 Horse Power
- RPM 1725
- Volts 115
- HZ 60

Part No. BBmotor



# Telescopic Bleacher

## Folding Bleacher Parts



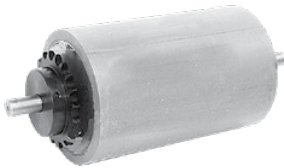
FOLDING BLEACHER FLOOR PAD  
2-1/2" X 1" X 5/16"  
Part No. P5050FB



FOLDING BLEACHER WHEEL  
4" X 1" X 3/8"  
Part No. P2080HS



FOLDING BLEACHER WHEEL AXLE  
USE WITH 4" WHEEL  
4" X 1-11/16"  
Part No. P2090HS



IRWIN BLEACHER DRIVE WHEEL  
6" X 9-1/2" X 3/4"  
Axle: 15-1/8"  
20 tooth Sprocket  
Part No. P5000IR



PILLOW BEARING  
Part No. P5010IR



FOLDING BLEACHER GEAR MOTOR 1/4 HP  
1/4 hp, 115volts, 12 amps  
Single Phase  
Part No. P6000IR

## Irwin Replacement Parts



IRWIN BLEACHER WHEEL  
4" X 1" X 3/8"  
Part No. P2080HS



IRWIN BLEACHER WHEEL AXLE  
USED WITH 4" WHEEL  
4" X 1-11/16"  
Part No. P2090HS



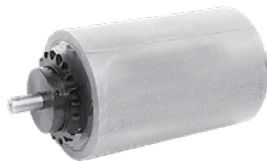
PILLOW BEARING  
Part No. P5010IR



IRWIN BLEACHER ROW LOCK LH  
Part No. P4001IR



FOLDING BLEACHER GEAR MOTOR 1/4 HP  
1/4 hp, 115volts, 12 amps  
Part No. P6000IR



IRWIN BLEACHER DRIVE WHEEL  
6" X 9-1/2" X 3/4"  
Axle: 15-1/8"  
20 tooth Sprocket  
Part No. P5000IR



IRWIN BLEACHER ROW LOCK RH  
Part No. P4000IR

## Fasteners - Bolts • Truss Head • Phillips Drive

Bolts may be ordered with or without nuts



A



B



C



D



E



MUST BE REPLACED WITH A, B, E OR F



F



G



H



J



K



L



WHIZ NUTS

KEPS NUTS

T-NUT

|    | PART NO.           | DESCRIPTION                                    |
|----|--------------------|--|
| A. | #P0101F<br>#P0103F | 1/4-28 x 3/4" long bolt<br>1/4-28 whiz nut     |
| B. | #P0102F<br>#P0103F | 1/4-28 x 1-3/4" long bolt<br>1/4-28 whiz nut   |
| C. | #P0104F<br>#P0106F | 5/16-18 x 1-1/4" long bolt<br>5/16-18 keps nut |

|    | PART NO.           | DESCRIPTION                                   |
|----|--------------------|---|
| D. | #P0105F<br>#P0106F | 5/16-18 x 1-3/4" long nut<br>5/16-18 keps nut |
| E. | #P1401F<br>#P1403F | 1/4-20 x 1-1/2" long bolt<br>1/4-20 keps nut  |
| F. | #P1402F<br>#P1403F | 1/4-20 x 2" long nut<br>1/4-20 keps nut       |

|    | PART NO.           | DESCRIPTION                                    |
|----|--------------------|--|
| G. | #P1404F<br>#P0106F | 5/16-18 x 1-1/2" long bolt<br>5/16-18 keps nut |
| H. | #P1405F<br>#P0106F | 5/16-18 x 2" long bolt<br>5/16-18 keps nut     |
| J. | #P1407F<br>#P1403F | 1/4-20 x 1-3/4" long bolt<br>1/4-20 keps nut   |
| K. | #P0507F<br>#P0508F | 3/16-24 x 1-1/4" long bolt<br>3/16-24 keps nut |
| L. | #P1408F<br>#P1409F | 5/16-24 x 2" long bolt<br>5/16-24 keps nut     |

# Telescopic Bleacher

## Common Bleacher Parts



### OUTRIGGERS

It is now possible to eliminate bending between Skirt Board and Seat Board on Metal and Wood Bleachers. Mounts on back of Skirt Board.

Part No. P0117Z



1ST ROW RISER BOARD HOLDING ARM ASSEMBLY (Wood Bleachers Only)

Part No. P2061Z



KEYED BLEACHER LOCK  
Part No. P0701Z

### ALUMINUM BLEACHER END CAPS

• 2 Bends

Part No. P2037U: 5-1/2"x1-3/4"

Part No. P2038U: 7-1/2"x1-3/4"

Part No. P2040U: 9-1/2"x1-3/4" (shown)

Part No. P2044U: 11-1/2"x1-3/4"



### CLIP FOR ALUMINUM BLEACHER

Part No. P2041U: 1-1/2" x 2-1/2"

Part No. P2042U: 1-1/2" x 3-1/2"



### ABRASIVE AISLE TREADS with Adhesive Backing

Size Available: 6" x 36"

Part No. P2062Z



### BALL REFLECTOR STOP

Part No. GJ606



## Narragansett



WIRE GUIDE ARM

Part Nos.

Right - P2058N

Left - P2059N



ROW LOCK

Part No. P2060N

ROW LOCK PIN

Part No. P2061N



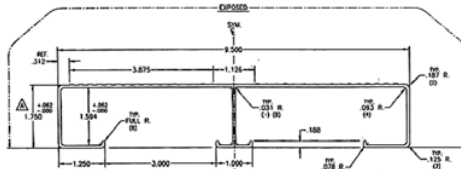
BLEACHER PARTS

## NRS Aluminum Bleacher Planks



### ALUMINUM BLEACHER PLANKS

All Planks are Mill or Anodized Finished. Mill finish is a standing plank, when wet not slippery, Anodized finish is a seat plank, when wet slippery.



### Sizes available

1-3/4"x5-1/2" x up to 24'

1-3/4"x7-1/2" x up to 24'

1-3/4"x9-1/2" x up to 24'

1-3/4"x11-1/2" x up to 24'

4-5 weeks delivery depending on size and color.



### ALUMINUM PICNIC TABLES

Aluminum Picnic Tables 6' and 8' available. The Aluminum picnic table has aluminum seats, aluminum table tops and steel legs. Our Aluminum Picnic table is an all anodized aluminum.

Part No. PTSG06 - 6'  
PTSG - 8'



BLEACHER CLIP 2.5"  
Part No. P7000N



BLEACHER ALUMINUM ENDCAP

Part No. P7002NA - 7-1/2"

Part No. P7002NB - 9-1/2"

Part No. P7002NC - 11-1/2"



BLEACHER GRAY PLASTIC ENDCAP

Part No. P7001NB - 9-1/2"

Part No. P7001NC - 11-1/2"

## Brunswick Replacement Parts

|                              |                                  |
|------------------------------|----------------------------------|
| TYPE A                       |                                  |
| TOP<br>Part No. P2002BR      | TOP RIVET<br>Part No. P2011BR    |
| TYPE B                       |                                  |
| TOP END<br>Part No. P2106VOS | TOP RIVET<br>Part No. P2103VOS   |
| BOTTOM PIECES FIT BOTH A & B |                                  |
| BOTTOM<br>Part No. P2003BR   | BOTTOM RIVET<br>Part No. P2013BR |



SPRING

Part No.

Right - P1116BR

Left - P1117BR



PIN ONLY

Part No. P2102VOS



RUBBER PAD

For All Models

Part No. P0113BR

3/4"

2"



TOP SLOTTED PLATE

Part No. P2145BR



SOCKET

Part No. P2131BR



SPRING

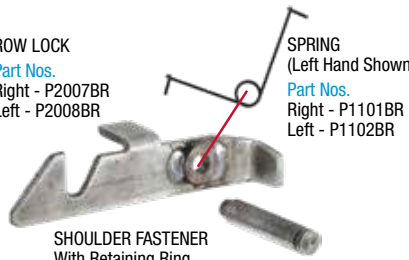
Part No. P1105BR

ROW LOCK

Part Nos.

Right - P2007BR

Left - P2008BR



SHOULDER FASTENER With Retaining Ring  
Part No. P2014BR

SPRING (Left Hand Shown)

Part Nos.

Right - P1101BR

Left - P1102BR



RIVET  
Part No. P2031BR



ROW LOCK

Part No. P2038BR



SPRING  
Part No. Right - P1108BR  
Left - P1109BR



SPACER  
Part No. P2030BR

# Telescopic Bleacher

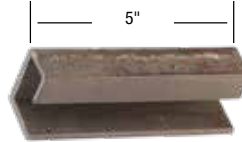
## Medart Replacement Parts



FLOOR SHOE  
More Durable  
Part No. P0501M



FRONT ROW HINGE  
Part No. P2052M



TOP FRAME CANTILEVER  
GUIDE  
Part No. P2055M



SEAT TO SKIRT BOARD  
GUSSET  
for added Strength to  
Wooden Benches  
(7-1/2" x 7-1/2")  
Part No. P2053M



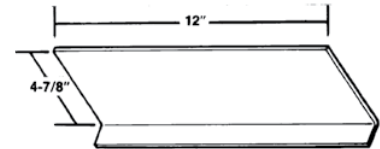
LATCH BRACKET  
(Right Hand Shown)  
Part Nos.  
Right – P2080M  
Left – P2081M



LATCH NOSE  
Part No.  
P2098M



FRONT ROW HINGE BRACKET  
Part No. P2083M



STIFFNER PLATE  
Part No. P2056M

BLEACHER PARTS

## Front Row Truck Assembly

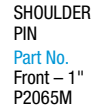


METAL ROLLER  
With Pin Assembly  
For Front Row  
Truck Assembly  
Part No.  
P2062M

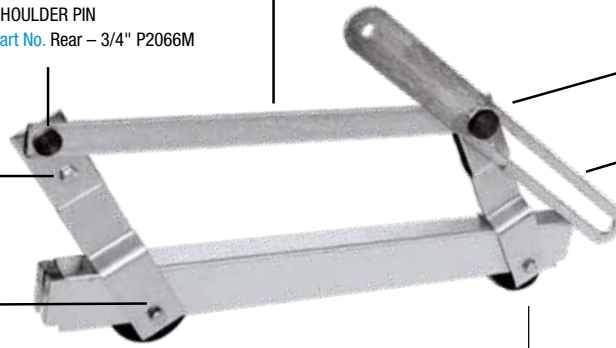


SHOULDER PIN  
Part No. Rear – 3/4" P2066M

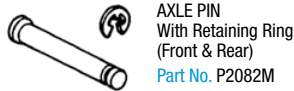
TOP BAR  
Specify 13-7/8 or 15-7/8"  
Part No. P2058M



SHOULDER PIN  
Part No.  
Front – 1" P2065M



SLIDE BAR  
Part No.  
P2054M



AXLE PIN  
With Retaining Ring  
(Front & Rear)  
Part No. P2082M



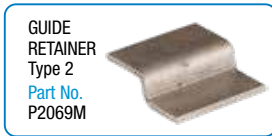
WHEEL  
Part No.  
P0310M  
2-1/2" X 7/8" X 1/4"

13-7/8"  
OR  
15-7/8"



Go to [www.robertbrooke.com](http://www.robertbrooke.com)  
to See a Larger Selection of  
Available Parts and Prices

## Row 2+ Truck Assembly



GUIDE  
RETAINER  
Type 2  
Part No.  
P2069M



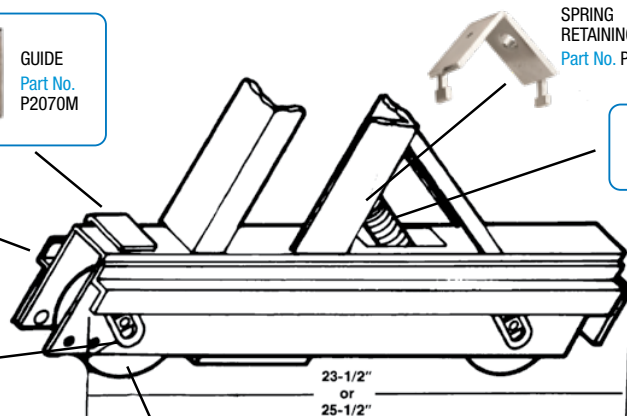
GUIDE  
Part No.  
P2070M

SPRING  
RETAINING CLIP  
Part No. P2067M

SPRING  
Part No.  
P1115M



AXLE PIN  
For Truck Assembly  
Part No.  
P2044M



WHEEL  
Part No. P0310M  
2-1/2" X 7/8" X 1/4"



To Determine Left or Right Hand,  
Face the Front of Bleacher

# Telescopic Bleacher

## Replacement Parts

### Berlin



**N/A** Old Style Discontinued SCISSOR ARM

#### These Parts Still Available



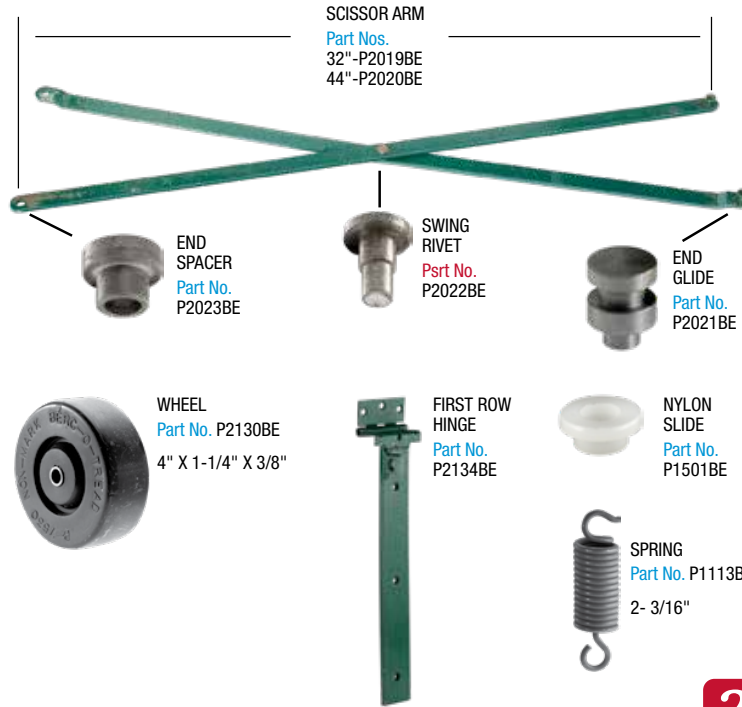
PIN  
#P2028BE



GLIDE  
#P2028BE-1



NUT  
#P2028BE-2



SCISSOR ARM  
Part Nos.  
32"-P2019BE  
44"-P2020BE



END SPACER  
Part No. P2023BE



SWING RIVET  
Part No. P2022BE



END GLIDE  
Part No. P2021BE



WHEEL  
Part No. P2130BE  
4" X 1-1/4" X 3/8"



FIRST ROW HINGE  
Part No. P2134BE



NYLON SLIDE  
Part No. P1501BE



SPRING  
Part No. P1113BE  
2- 3/16"

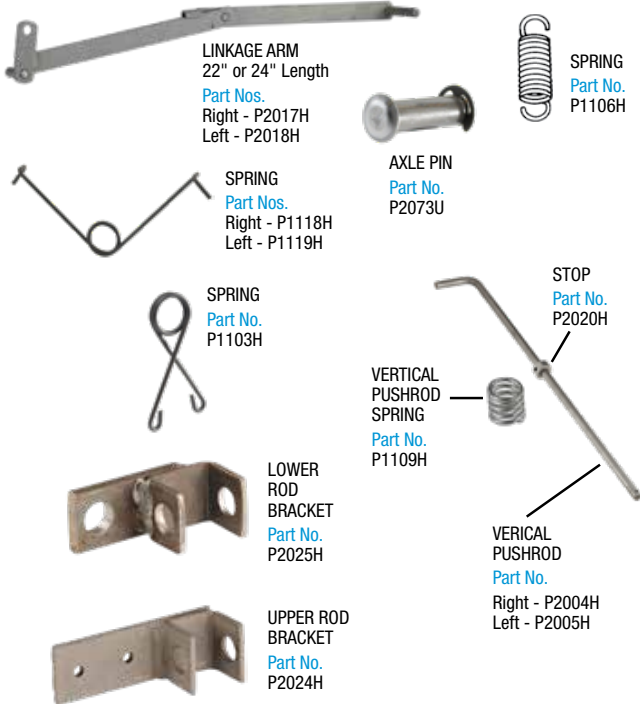


HEX HEAD FASTENER  
With Nut & Washer  
5/16" x 4-3/4"  
Part No. P2084F

SCISSOR ARM  
END SPACER  
Part No. P2041BE  
1-5/16" high X  
5/16" wide

**?** If in Doubt, Please Send a Sample

### Horn



LINKAGE ARM  
22" or 24" Length  
Part Nos.  
Right - P2017H  
Left - P2018H

SPRING  
Part Nos.  
Right - P1118H  
Left - P1119H

SPRING  
Part No. P1103H

LOWER ROD BRACKET  
Part No. P2025H

UPPER ROD BRACKET  
Part No. P2024H

AXLE PIN  
Part No. P2073U

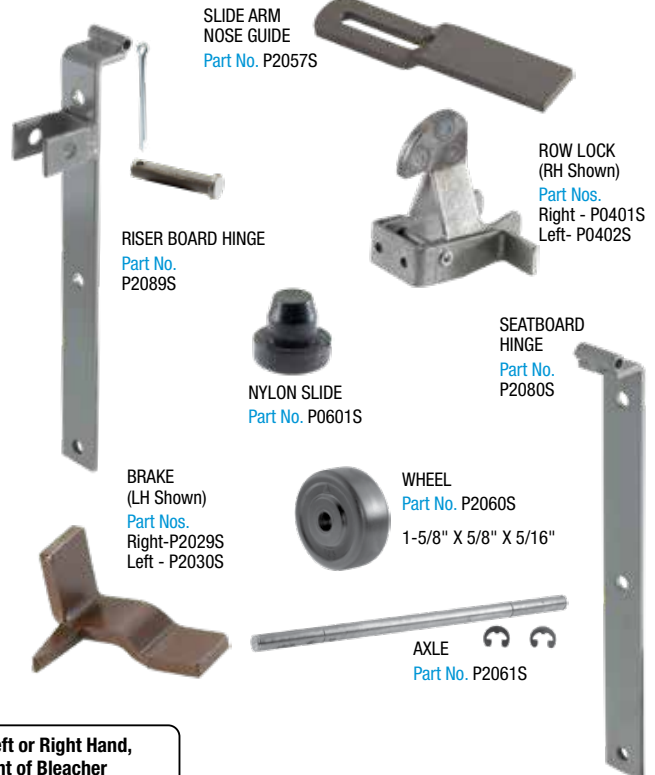
SPRING  
Part No. P1106H

STOP  
Part No. P2020H

VERTICAL PUSHROD SPRING  
Part No. P1109H

VERTICAL PUSHROD  
Part No.  
Right - P2004H  
Left - P2005H

### Safway



SLIDE ARM NOSE GUIDE  
Part No. P2057S

RISER BOARD HINGE  
Part No. P2089S

BRAKE (LH Shown)  
Part Nos.  
Right-P2029S  
Left - P2030S

ROW LOCK (RH Shown)  
Part Nos.  
Right - P0401S  
Left - P0402S

NYLON SLIDE  
Part No. P0601S

SEATBOARD HINGE  
Part No. P2080S

WHEEL  
Part No. P2060S  
1-5/8" X 5/8" X 5/16"

AXLE  
Part No. P2061S

**!** To Determine Left or Right Hand, Face the Front of Bleacher

# Telescopic Bleacher

## Replacement Parts

### Universal



SKIRT BOARD BRACKET Center  
Part No. P2047U



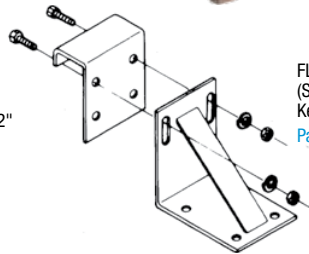
AXLE PIN  
Part No. P2073U



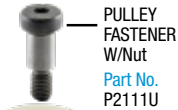
SKIRT BOARD BRACKET  
Part Nos.  
Right-P2045U  
Left-P2046U



UNIVERSAL WHEEL  
Part No. P2066U  
3-1/2" X 1-1/4" X 1/2"



FLOOR LOCK  
(See Miscellaneous for Keyed Bleacher Lock.)  
Part No. P2088U



PULLEY FASTENER W/Nut  
Part No. P2111U



PULLEY  
Part No. P0119U



1ST ROW PULLEY BRACKET  
Part No. P2101U



ROW LOCK  
Part No. P2027U



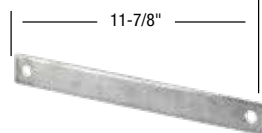
TRIP BAR  
Part No. P2026U



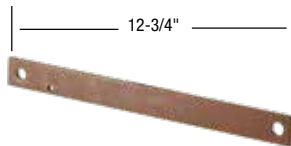
1ST ROW ROW LOCK  
Part No. P2099U



PIN AND SLEEVE with Retaining Ring  
Part No. P2043U



LINKAGE ARM  
Part No. P2146U



LINKAGE ARM  
Part No. P2165U



SPRING  
Part No. P1104U



CHRISTMAS TREE CLIP (Nylon)  
Part No. P2057U



SPRING  
Part No. P1107U

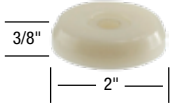


SPRING  
Part No. P1112U



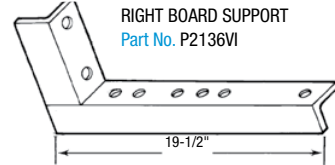
SPRING  
Part No. P1114U

NYLON ACCU-ROLL WHEEL & SHOULDER PIN  
Part No. P0312U



SHOULDER PIN  
Part No. P2074U

### Vectra/Interkal



RIGHT BOARD SUPPORT  
Part No. P2136VI



OUTRIGGER  
Part No. P0117Z



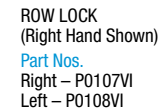
FLOOR PAD  
Part No. P0113VI



HINGE (Right Hand Shown)  
Part Nos.  
Right - P2162VI  
Left - P2163VI



HINGE (Right Hand Shown)  
LH Part No. P2034VI  
RH Part No. P2033VI



ROW LOCK (Right Hand Shown)  
Part Nos.  
Right - P0107VI  
Left - P0108VI



HARDWARE FOR ROW LOCK  
Part No. P0106VI



DRIVE WHEEL  
Part No. P2000VI



1ST ROW - ROW LOCK (Right Hand Shown)  
Part Nos.  
Right - P0114VI  
Left - P0115VI



CADDIE  
Part No. P0116VI



Go to [www.robertbrooke.com](http://www.robertbrooke.com) to See a Larger Selection of Available Parts and Prices

# Telescopic Bleacher

## Replacement Parts

### Wayne



**FLOOR SHOE**  
Part No. P2040WN  
1/4" X 1 7/8" X 3"



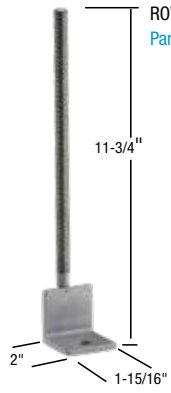
**ARM BUSHING**  
Part No. P2215WN



**WHEEL CHANNEL KEEPER (Lower)**  
Part No. P2176WN



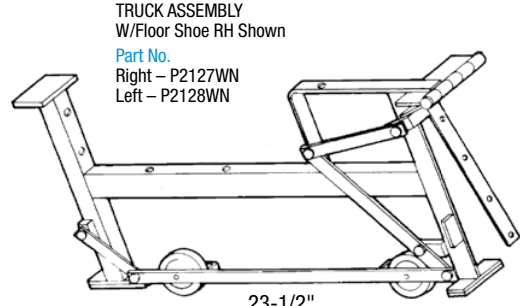
**SPACER**  
Part No. P2214WN



**ROW SUPPORT**  
Part No. P2226WN



**WHEEL**  
Part No. P2029WN  
3" x 3/4" x 1/4"



**TRUCK ASSEMBLY**  
W/Floor Shoe RH Shown  
Part No.  
Right – P2127WN  
Left – P2128WN

When Ordering Give Overall Length

### Hussey



**R026 MALE PENDANT CONTROL PLUG**  
Part No. P2023HS



**R026 FEMALE PENDANT CONTROL PLUG**  
Part No. P2024HS



**R026 PENDANT CONTROL**  
w/12' cord and male end  
Part No. P2025HS



**MAXAM FEMALE SOCKET PLUG - 4 PIN**  
Part No. P2015730



**MAXAM FEMALE HOUSING**  
Part No. P2015732



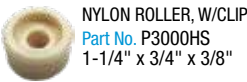
**MAXAM MALE SOCKET PLUG - 4 PIN**  
Part No. P2015716



**MAXAM MALE HOUSING**  
Part No. P2015720



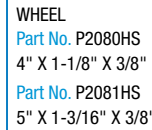
**120V RELAY**  
Part No. P2030HS



**NYLON ROLLER, W/CLIP**  
Part No. P3000HS  
1-1/4" x 3/4" x 3/8"



**POWERTRAC III DRIVE WHEEL**  
Part No. P2003HS  
4" X 6" X 7/8"



**WHEEL**  
Part No. P2080HS  
4" X 1-1/8" X 3/8"  
Part No. P2081HS  
5" X 1-3/16" X 3/8"



(4" Wheel & Axel Shown)



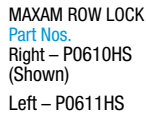
**AXLE PIN FOR 4" WHEEL**  
Part No. P2090HS  
**AXLE PIN FOR 5" WHEEL**  
Part No. P2091HS



**BLEACHER MOTOR**  
.5HP - 1 PHASE  
Part No. P2019HS



**BLEACHER MOTOR**  
.5HP - 3 PHASE  
Part No. P2040HS



**MAXAM ROW LOCK**  
Part Nos.  
Right – P0610HS (Shown)  
Left – P0611HS



**AUTOMATIC STOP BAR**  
Part Nos.  
Right – P2201HS  
Left – P2202HS (Shown)



**RISER BOARD HINGE (New Style)**  
Part No. P2022HS



**END PLATE (New Style)**  
Part No. P2107HS



**GENERIC GEAR BOX**  
70:1  
Part No. P2020HS



**GENERIC GEAR BOX**  
60:1  
Part No. P6000HS



**ROW LOCK (Left Hand Shown)**  
Part Nos.  
Right – P0510HS  
Left – P0511HS



**ROW LOCK GUIDE**  
Part No. P2028HS



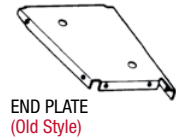
**ROW LOCK GUIDE**  
Part No. P2029HS



**UPPER ROW STOP**  
Part No. P0516HS



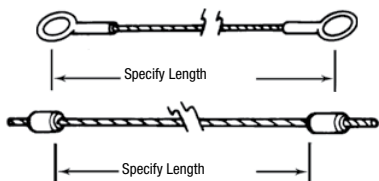
**FLOOR PAD (Replaces Rectangular Pad)**  
Part No. P0514HS



**END PLATE (Old Style)**

## Bleacher Cables

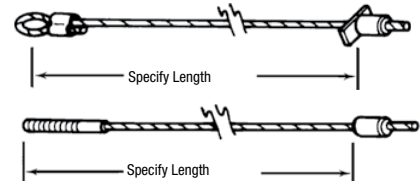
### First Row Lock Cables



Part No. P2094U

Part No. P2095U

### Alignment Cables



Part No. P2096U

Part No. P2098U