

School Clocks and Guards

- All Clocks use 1 AA Battery, 2 Year Battery Life.
- Wall and Hallway Clocks and Guard's.
- Atomic Clocks.
- Atomic Clocks sets themselves through radio signals emitted by the US atomic-clock located in Boulder, CO.
- Just insert the battery, set your time zone and the clock will take care of the rest!



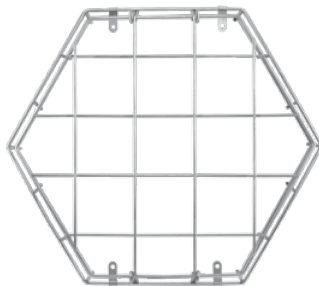
Atomic Clock 14"
Part No. ABC14



Atomic Clock 16"
Part No. ABC16



16" Hallway Dual-Sided Atomic Clock
Mount from Wall or Ceiling
Part No. DSABC16"



Clock Guard 17"
Actual Size 17"
Use with 16" Atomic Clock
Part No. Guard18



! Please call for other sizes and products containing clocks and guards

General Accessories for Lockers

Standard Hardware Items for All Manufacturers



Number Plate
Specify Locker Manufacturer
Fits All Lockers
Except Lyon Metal
Specify Whether Numbered or Blank Plate
Part No. # PLATES



Padlock Staple
Part No. 700401



Padlock Staple
Part No. 700412



Slotless Head Bolt
Size Part No.
10-24 x 3/8" 702343
10-24 x 1/2" 702713



Slotted Head Bolt
Size Part No.
10-24 x 1/2" 702426
8-32 x 1/2" 702527



Single Prong
For All Lockers
Except Republic Steel
Part No. 200116



Lock Hole Filler Plate
Part No. 700504



Hex Nut
Size Part No.
10-24" 702550
8-32" 702451



Double Prong
For All Lockers
Part No. 200197



Door Knob (Heavy Duty)
For 2-Person Locker
Part No. 700339
Screw
Part No. 703208



Kep Nut
Size Part No.
10-24" 702650
8-32" 702651

! Can't find what you need... CALL US and we will!

Master Lock

NOTE: Control or Master Key to open all Master Locks in your system available.

Built-In Combination Locks

Specify Lock Types and Master Key Number!
New colored dials available Red, Blue, Green and Purple.



Automatic Locking Bolt
For lockers with handles and automatic locking rods. Locking bolt moves vertically.
Part Nos.
Right-Hinged Doors – 1630
Left-Hinged Doors – 1631



Manual Locking Deadbolt
Fits expanded metal lockers, full length lockers and box lockers. Locking bolt moved horizontally.
Part Nos.
Right-Hinged Doors – 1670
Left-Hinged Doors – 1671



Automatic-Locking Spring Bolt
For single point lockers. Spring latch locks automatically. Bolt moves horizontally.
Part Nos.
Right-Hinged Doors – 1652
Left-Hinged Doors – 1653



NOTE: FOR BOX LOCKERS ONLY
Automatic Locking Spring bolt
Usually found on gym or shop lockers. Spring latch locks automatically. Bolt moves horizontally.
Part Nos.
Right-Hinged Doors – 1654
Left-Hinged Doors – 1655



REGULAR
Part No. 1502



KEY CONTROLLED
Part No. 1525



Available in:
• Green • Blue • Purple
• Red • Orange • Gold
• Gray • Black

5 – Pin Tumble Key

Built-In Key Locks — Bolt Moves Horizontally



Manual Locking Deadbolt
Fits all types of lockers; left or right-hinged.
Part No. 1710



Automatic Locking Spring Bolt
Fits all types of lockers; left or right-hinged.
Part No. 1714



Manual Locking Deadbolt
Fits all types of lockers; left or right-hinged.
Part No. 1710MKADA



Automatic Locking Spring Bolt
Fits all types of lockers; left or right-hinged.
Part No. 1714MKADA

NOTE: All Locks Master-Keyed. Specify Master Number or New Series.

ADA Built-In Combination Locks



ADA Automatic Locking Bolt For Lockers with handles and automatic locking bars
Locking bolt moves vertically
Built-in lock for ADA Lift Handle Latch Lockers, right hand hinged door, with Master key enabling. Includes 2 student keys with ADA key heads. Order Master Key separately. Replaces 1630.
Part No. 1636MKADA - RH Only



For Single Point Lockers. Manual locking bolt
Built-in lock for ADA Single Point Latch Lockers (except 1690 based lockers), right hand hinged door, with Master key enabling. Includes 2 student keys with ADA key heads. Order Master Key separately. Replaces 1670.
Part No. 1676MKADA - RH Only



ADA For Single Point Lockers. Spring latch locks automatically.
Built-in lock for ADA single point latch lockers designed for Wrap Around Latch Technology, automatic deadbolt locking, right-hand hinged door, with Master key enabling. Includes 2 student keys with ADA key head. Order Master Key separately.
Part No. 1695MKADA - RH Only



For Single Point Lockers. Spring latch locks automatically.
Built-in lock for single point latch lockers - Wrap Around Latch Technology™, automatic deadbolt locking, right-hand hinged door
Part No. 1690 - RH Only



To Order Specify

- TYPE OF LOCK • MASTER KEY NUMBER
- SPECIFY SCHOOL OR IF FACILITY LOCKS ARE USED

If you do not have the Master Lock System we will start a new Master Key Series.

Zephyr Locks



Spring Latch Key Lock
Part No. 1754



Verticle Dead Bolt Lock
Part No. 1930



Built-In Combination Spring Latch Lock
Part No. 1955



Dead Bolt Key Lock
Part No. 1770



1930 ADA Verticle Dead Bolt Lock
Part No. 1930



Dead Bolt Lock
Part No. 1970



Pad Lock
Part No. 1902



Verticle Deadbolt Lock
Part No. 1931



Dead Bolt Lock
Part No. 1971



Pad lock with Master Key Access
Part No. 1925



Built-In Combination Spring Latch Lock
Part No. 1954



Series Electronic RFID Lock, Card Access Only
Part No. 2500



Series Electronic RFID Lock with Card and Keypad Access
Part No. 2600

Padlockable Cam Locks



Padlockable Cam Locks

Part Nos.
Chrome – Cam200
Black – Cam300
Brushed Nickle – Cam600

Wood locker padlockable cam hasp in chrome plated finish. For p to 1-1/8" thick door and a 3/4" hole in the door for mounting. Known as a Hafele 235.17.200 hasp lock.

- Cylinder Length: 1-5/16" (33mm)
- Padlockable Faceplate Size: 1-13/16" (46m)H x 1" (25mm)W
- Maximum Material Thickness: 1-1/8" (19mm)
- Hole Diameter: 3/4" (19mm)



LOCKER HANDLE
(Use Screw A)
Part No. 700315



LOCKER HANDLE
(Use Screw A)
Part No. 700314



LOCKER HANDLE
(Use Screw A)
Hole Spacing 3-3/4"
Part No. 700319



LATCH FINGER
(Prior to Current)
Part No. 700338

LATCH FINGER
Heat Treated
Part No. 700338H



DOOR JAMB
(Prior to Current)
Part Nos.
RIGHT-763032
LEFT-760524



PADLOCK HASP
Part No. 700745



**WIRE BASKET
PADLOCK
ATTACHMENT**
Part No. 859412



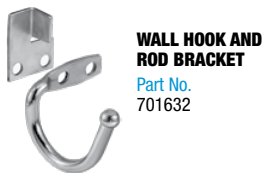
SINGLE PRONG
Part No. 701631



DOUBLE PRONG
Part No. 701619



**DOUBLE PRONG
CEILING HOOK**
Part No. 701633



**WALL HOOK AND
ROD BRACKET**
Part No. 701632



**HDV BOX LOCKER SPRING
ACTIVATED LATCH**
Part No. 856000



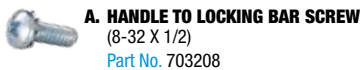
**HDV FRAME HOOK FOR
BOX LOCKERS**
Part No. 856001



SINGLE POINT RECESS HANDLE
Part No. 786000



**SINGLE POINT
FRAME HOOK**
Part No. 7148012



A. HANDLE TO LOCKING BAR SCREW
(8-32 X 1/2)
Part No. 703208



B. HANDLE TO DOOR SCREW
(8-32 X 5/16)
Part No. 703207



C. HANDLE TO DOOR SCREW
(8-32 x 5/16ST)
Part No. 703309



**PLASTIC GLIDE ASSEMBLY
FOR RECESS HANDLE
LOCK BARS**
Part No. 786540

To Determine RH or LH

As You Face the Locker

- If Hinges are on the Right Hand Side, then Locker is RH.
- If Hinges are on the Left Hand Side, then Locker is LH.

**LOCKER HANDLE ASSEMBLY
(Complete Assembly)**
Part Nos.
Right-700308
Left-700309



**LOCKER HANDLE ASSEMBLY
(Complete Assembly)**
Part Nos.
Right-700312
Left-700310



LIFTER
Part No. 853715

POP RIVET
Part No. 702782

TRIGGER
Part No. 701455

**RECESSED
HANDLE**
Part No. 853713



ONE POINT BOX LOCKER SPRING LATCH

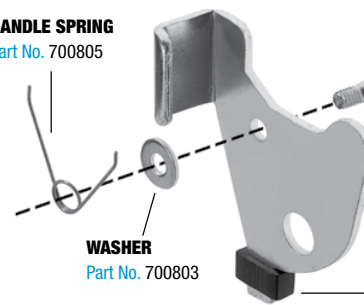
HANDLE SPRING
Part No. 700805

STUD
Part No. 701204

HANDLE LATCH
Part No. 856179

WASHER
Part No. 700803

BUMPER KEEPER
Part No. 700801



Republic Steel



LATCH FINGER SPRING
Prior to Current)
Part No.
700337



LATCH FINGER
(Current)
Part No.
701730



RUBBER BUMPER
Part No.
760018



DOOR JAMB
(Current)
Part No.
760017



BOX LOCKER HASP
(Current)
Part No.
776023



HINGE
Part No.
869329



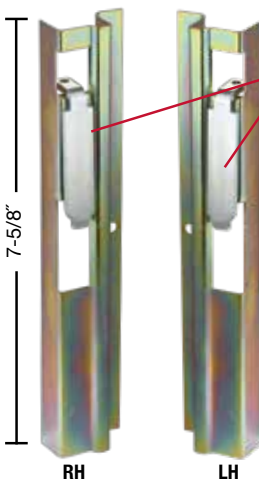
BOX LOCKER ESCUTCHEON PLATE
Part No.
713487



BOX LOCKER FRICTION CATCH
Part No.
714906



BOX LOCKER ESCUTCHEON PLATE
Part No.
853871



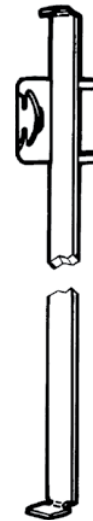
LOCKING BARS FOR UPPER DOORS ON TWO PERSON LOCKERS
(Prior to Current)
Part Nos.
Right – 700341
Left – 700340



LOCKING BARS FOR UPPER DOORS ON TWO PERSON LOCKERS
(Current)
Part No.
700355

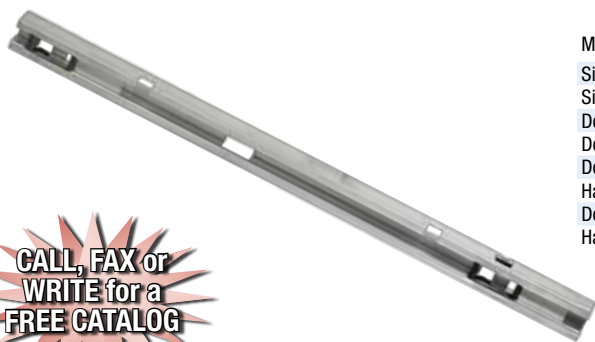


TWO PERSON LATCH BAR ASSEMBLY
(Right-Hand, Short)
1972 to present
Length 11"
Part No.
770579



TWO PERSON LATCH BAR ASSEMBLY
(Left-Hand, Long)
1972 to present
Length 20"
Part No.
770575

Lock Bars



TYPE & DOOR SIZE	
Manufactured after 1972	
Single Tier – 60"	
Single Tier – 72"	
Double Tier – 30"	
Double Tier – 36"	
Double Tier – 30"	
Handles at extremes of door	
Double Tier – 36"	
Handles at extreme of door	

TYPE OF HANDLE			
HANDLE #700308	ACTUAL SIZE	RECESSED	ACTUAL SIZE
RLB60	47-7/8"	RLB60RR	47-15/16"
RLB72	59-7/8"	RLB72RR	59-24/32"
RLB30M	18-3/8"	RLB30MRR	24-17/32"
RLB36M	24-3/8"	RLB36MRR	30-17/32"
RLB30E	26-3/16"		
RLB36E	32-3/16"		

LYON Metal Products

To Determine RH or LH

As You Face the Locker

- If Hinges are on the Right Hand Side, then Locker is RH.
- If Hinges are on the Left Hand Side, then Locker is LH.

LOCKER HANDLE ASSEMBLY 2 SCREW HOLES

(Prior to Current - Before 1980)

Part No.
Right - 200134
Left - 200135



SCREW
8-32 x 1/2ST
Part No. 203112

SCREW
8-32 x 1/4ST
Part No. 230114

To determine RH or LH - See above

LOCKER HANDLE ASSEMBLY 1 SCREW HOLE

(Used after Sept. '81)

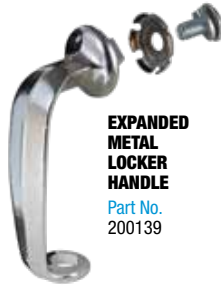
Part No.
Right - 200410
Left - 200411



LIFT ONLY
Part No.
Right - 200820
Left - 200830

CASE ONLY
Part No. 200800

To determine RH or LH - See above



EXPANDED METAL LOCKER HANDLE
Part No. 200139



LOCKER HANDLE
Part No. 200132

SCREW
6-32 x 1/4 ST
Part No. 203118

SCREW
8-32 X 3/8 ST
Part No. 400274



LIFT
Part No.
Right-200136
Left-200137



LOCK WIRE STRAP
Right-Left
Part No. 208630



WIRE BASKET PADLOCK ATTACHMENT
Part No. 200312



BOX LOCKER PULL
Part No. 200314



BOX LOCKER DOOR JAMB
(Current)
Part No. 200310



DOOR JAMB
(Current)
Part No.
Right- 200306
Left- 200307



DOOR JAMB
Part No. 200300



LOCKING BAR SPRING
(After Feb. 1980)
Part No. 200786

LOCKING BAR SPRING
(Before Feb. 1980)
Part No. 200697



LOCKING BAR SPRING
(Long Style)
Part No. 200324



TWO PERSON UPPER DOOR JAMB
(Prior to Current)
Part No. 200309



TWO PERSON UPPER DOOR JAMB
(Current)
Part No. 200308



HINGE
Part No. 869329



LYON Metal Products

RUBBER BUMPER
Part No.
206705



SCREW
Part No.
206710



DOME WASHER
Part No.
206700



RECESS LIFT
Part No.
206746

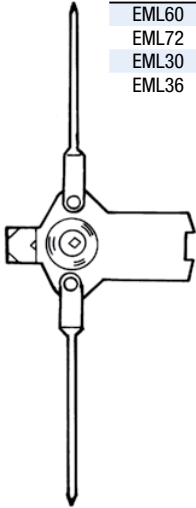


RECESS HANDLE
Part No.
206745



Expanded Metal Lock Bars

PART NO.	LOCKER STYLE	LOCKER HEIGHT
EML60	SINGLE TIER	60"
EML72	SINGLE TIER	72"
EML30	DOUBLE TIER	30"
EML36	DOUBLE TIER	36"



Part No.
200139



NANO ROLLER-LATCH FINGER
Part No.
206750



RECESS LIFT
Part No.
206749



DOOR JAMB
Part No.
206751



RECESS HANDLE
Part No.
206780



LOCK BAR RETAINER
Part No.
206752



SCREW
Part No.
206748-1



TRIGGER
Part No.
206747

CURRENT Style



LIFT TRIGGER
Part No.
206755
OLD Style

Lock Bars

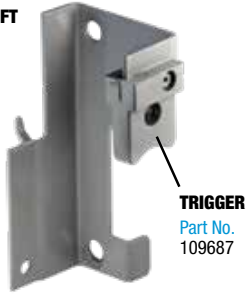


? Do you or one of your coworkers need a catalog? Call, write or Fax for a free copy!

PART NO.	TYPE & DOOR SIZE	ACTUAL SIZE	TYPE OF HANDLE	YEARS USED
LLB60R	SINGLE TIER - 60"	56 1/2"	206749	1988 - SEPT. 2004
LLB60U	SINGLE TIER - 60"	56 1/2"	200134 & 200135 & 200132	APRIL 1960-FEB. 1980
LLB60B	SINGLE TIER - 60"	56 1/2"	200134 & 200135	FEB. 1980-SEPT. 1981
LLB60A	SINGLE TIER - 60"	56 1/2"	200410 & 200411	SEPT. 1981-PRESENT
LLB72R	SINGLE TIER - 72"	56 1/2"	206749	1988 - SEPT. 2004
LLB72U	SINGLE TIER - 72"	68 1/2"	200134 & 200135 & 200132	APRIL 1960-FEB. 1980
LLB72B	SINGLE TIER - 72"	56 1/2"	200134 & 200135	FEB. 1980-SEPT. 1981
LLB72A	SINGLE TIER - 72"	56 1/2"	200410 & 200411	SEPT. 1981-PRESENT
LLB30R	DOUBLE TIER - 30"	27"	206749	1988 - SEPT. 2004
LLB36R	DOUBLE TIER - 36"	27"	206749	1988 - SEPT. 2004
LLB30U	DOUBLE TIER - 30"	27 1/2"	200134 & 200135 & 200132	APRIL 1953-FEB. 1980
LLB36U	DOUBLE TIER - 36"	33 1/2"	200134 & 200135 & 200132	APRIL 1953-FEB. 1980
LLB30B	DOUBLE TIER - 30"	27 1/2"	200134 & 200135	FEB. 1980-SEPT. 1981
LLB36B	DOUBLE TIER - 36"	27 1/2"	200134 & 200135	FEB. 1980-SEPT. 1981
LLB30A	DOUBLE TIER - 30"	27"	200410 & 200411	SEPT. 1981-PRESENT
LLB36A	DOUBLE TIER - 36"	27"	200410 & 200411	SEPT. 1981-PRESENT
N/A LLB20RA	TRIPLE TIER - 20"	????	200410 & 200411 & 206749	2004 - PRESENT
N/A LLB24RA	TRIPLE TIER - 24"	????	200410 & 200411 & 206749	2004 - PRESENT
LLB30RA	DOUBLE TIER - 30"	24"	200410 & 200411 & 206749	2004 - PRESENT
LLB36RA	DOUBLE TIER - 36"	24"	200410 & 200411 & 206749	2004 - PRESENT
N/A LLB48RA	SINGLE TIER - 48"	????	200410 & 200411 & 206749	2004 - PRESENT
LLB60RA	SINGLE TIER - 60"	53 1/4"	200410 & 200411 & 206749	2004 - PRESENT
LLB72RA	SINGLE TIER - 72"	53 1/4"	200410 & 200411 & 206749	2004 - PRESENT

PENCO

RECESS LIFT
Part No.
160893



RECESS HANDLE
Part No.
160893



Lock Bars



PART NO.	TYPE & DOOR SIZE	ACTUAL SIZE	YEARS USED
PLB60	SINGLE TIER – 60"	50 5/8"	1966-PRESENT
PLB72	SINGLE TIER – 72"	62 1/2"	1966-PRESENT
PLB30	DOUBLE TIER – 30"	21 1/2"	1966-FEB 1996
PLB36	DOUBLE TIER – 36"	27 1/2"	1966-FEB 1996
PLB30N	DOUBLE TIER – 30"	21"	FEB 1996-CURRENT
PLB36N	DOUBLE TIER – 36"	27"	FEB 1996-CURRENT

TWO PIECE LOCKER HANDLE ASSEMBLY
Part No. 108658



CASE
Part No.
108752



LIFT
Part No.
108745



PALNUT
Part No.
108642



SPIRAL PIN
Part No. 108655
REPLACED BY:



PLASTIC CLIP
Part No.
108657



COILED SPRING
Part No.
108650



LOCK BAR PIN
Part No.
108652



LOCKING BAR FOR UPPER DOORS ON TWO PERSON LOCKERS
Left Hand
Part No.
165268



LOCKING BAR FOR UPPER DOORS ON TWO PERSON LOCKERS
Right Hand
Part No.
165267

COILED SPRING
Part No.
108650

NYLON CATCH CLIP
Part No.
108651



BOX LOCKER PULL
Part No.
160803



NYLON CATCH CLIP
Part No.
108651



HINGE
Part No.
108620



Penco

LOCKERS & ACCESSORIES



COMPLETE TOOL ASSEMBLY FOR PALNUT Prior to 1972 Part No. 108638



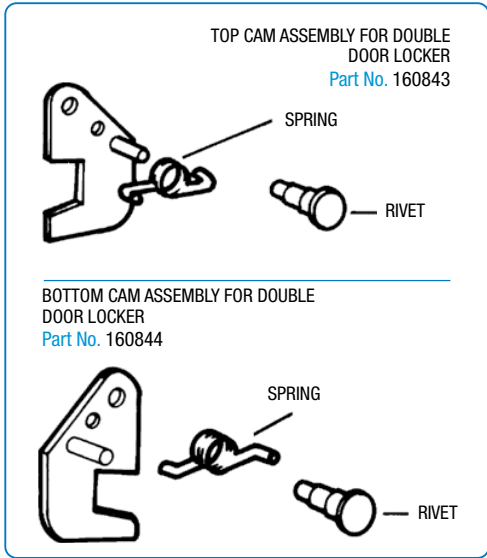
COMPLETE TOOL ASSEMBLY FOR PALNUT 1972 to Present Part No. 109630



WIRE BASKET PADLOCK ATTACHMENT Part No. 160833



BOX LOCKER PADLOCK ATTACHMENT Part No. 160801



POP RIVET Part No. 108695



PADLOCK STAPLE Part No. 160806



STEEL LATCH CLIP Part No. 160802



LATCH HOOK Part Nos. Right-160805 Left-160804



TWO PERSON LATCH BAR ASSEMBLY (Right-Hand, Short) 1970 to 1984 Length 9-3/4" Part No. 160861



TWO PERSON LATCH BAR ASSEMBLY (Left-Hand, Long) 1970 to 1984 Length 18-1/4" Part No. 160860



LATCH HOOK BUMPER Part No. 108606



COILED SPRING Part No. 108604



Do you or one of your coworkers need a catalog? Call, write or Fax for a free copy!



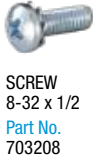
LOCKER HANDLE
Part No. 302828



SCREW
10-24 x 3/8 ST
Part No. 301425



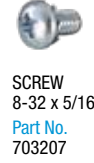
LOCKER HANDLE
Part No. 302829



SCREW
8-32 x 1/2
Part No. 703208



LOCKER HANDLE
Part No. 300154



SCREW
8-32 x 5/16
Part No. 703207



DOOR JAMB
Part Nos.
Right – 303058
Left – 303057



DOOR JAMB
Part Nos.
Right – 301350
Left – 301349



LATCH FINGER
Part No. 303100



SPRING
Part No. 301341



UPPER LOCKING BAR ASSEMBLY
Part No. 302819



EXPANDED METAL LOCK HANDLE
Part No. 303099



RECESS LIFT
Part No. 302956



RECESS HANDLE
Part No. 302955



SPRING
Part No. 303101



BOX LOCKER FRICTION CATCH
Part No. 301358



LIFT
Part No. 302825



SCREW
8-32 x 3/8
Part No. 301420



NUT
Part No. 301460



KEEPER
Part No. 303109



LATCH ASSEMBLY
Part No. 303113



RUBBER RING
Part No. 303105



NYLON LATCH FINGER
Part No. 303110
-OR-
METAL LATCH FINGER
Part No. 303233



PADLOCK CLIP
Part No. 305453



HINGE
Part No. 301361



COILED SPRING
Part No. 303115

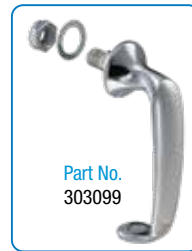
Lock Bars

Interior Lock Bars are for Lockers manufactured 1965 – 1994.



TWO PERSON LATCH BAR ASSEMBLY (Left-Hand, Long) 1965 to Present Length 20-3/4" Part No. 301353

Expanded Metal Lock Bars



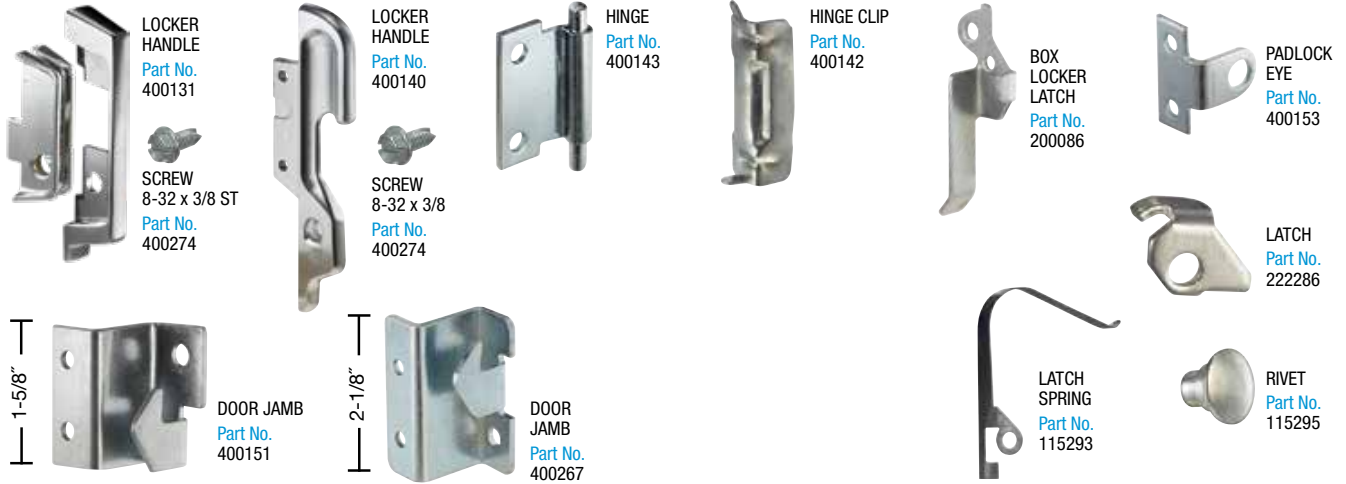
Part No. 303099



PART NO.	LOCKER STYLE	LOCKER HEIGHT	BAR LENGTH
ILB60	SINGLE TIER	60"	55-9/16"
ILB72	SINGLE TIER	72"	67-9/16"
ILB30	DOUBLE TIER	30"	26-11/16"
ILB36	DOUBLE TIER	36"	32-11/16"

PART NO.	LOCKER STYLE	LOCKER HEIGHT
EMI60	SINGLE TIER	60"
EMI72	SINGLE TIER	72"
EMI30	DOUBLE TIER	30"
EMI36	DOUBLE TIER	36"

All-Steel Equipment



Durabilt



DeBourgh



MEDART



Lock Bars



PART NO.	LOCKER STYLE	LOCKER HEIGHT	BAR LENGTH	MANUFACTURE DATES	REMARKS
MLB60D	SINGLE TIER	60"	54-3/8"	1972 TO 1990	Medart Lock Bars are for Lockers manufactured 1972 thru 1990 — 602569
MLB60		60"	49-1/2"		
MLB72		72"	61-5/16"		
MLB30	DOUBLE TIER	30"	26-1/2"	NOV. 1994 TO JAN. 1998	Medart Lock Bars are for Lockers manufactured 1972 thru 1990 — 602569 Uses Interior Steel Slide Latch Assembly #303113
MLB36		36"	32-1/2"		
MLB60C		60"	56"		
MLB72C	SINGLE TIER	72"	61-5/16"		Uses Interior Steel Slide Latch Assembly #303113
MLB30C	DOUBLE TIER	30"	26-1/2"		
MLB36C		36"	32-1/2"		

To Determine RH or LH

As You Face the Locker

- If Hinges are on the Right Hand Side, then Locker is RH.
- If Hinges are on the Left Hand Side, then Locker is LH.

LOCKER HANDLE ASSEMBLY

Part Nos.

Right - 604275
Left - 604276

CASE
Part No. 604333



LOCKER HANDLE SCREW
8-32 x 3/8 ST
Part No. 400274

LIFT

Part Nos.

Right - 607626
Left - 607627



LOCKER HANDLE Housing Only Available
Part No. 604277



LOCKER HANDLE
Part No. 603768



LOCKER HANDLE
Part No. 604158



LOCKER HANDLE
Part No. 602920
Replaces 602650



LOCKER HANDLE
Part No. 604421



LOCKER HANDLE
Part No. 604421-M



DOOR JAMB
Part No. 602938 RH
602940 LH



DOOR JAMB
Part No. 601623



DOOR JAMB BUMPER
(Prior to Current)
Part No. 605104



DOOR JAMB BUMPER
(Current)
Part No. 605100

LOCK ROD SPRING ASSEMBLY ONLY (New Style)
Part No. 600822



LOCK ROD SPRING
Part No. 600831



DOOR JAMB
(New Style)
Part No. 604769



DELRIN LOCK ROD GUIDE
(New Style)
Part No. 600514



DOOR JAMB
Part No. 604161



DOOR JAMB
Part No. 604132



BOX LOCKER DOOR JAMB
Part No. 608650



BOX LOCKER PULL
Part No. 600314



PADLOCK HASP
Part No. 604059



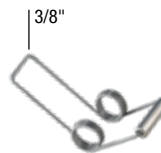
PADLOCK HASP
Part No. 603564



LOCK ROD LIFT
Part No. 601174



3-HOLE HINGE
Part No. 605001



ROLLER
Part No. 602436

LOCK ROD SPRING
(Old Style)
Part No. 602569A



ROLLER
Part No. 602436

LOCK ROD SPRING
Part No. 602569B
(New Style)



LOCK ROD LATCH CLIP ASSEMBLY
Part No. 601622



UPPER TWO-PERSON HINGE
Part No. 600723



WIRE BASKET PADLOCK ATTACHMENT
Part No. 601140



SOLID RIVET
Part No. 602435



TUBULAR RIVET
Part No. 603586



UNIVERSAL SCREW FOR MEDART HANDLES
10-24 x 3/8
(Except for Part Nos. 604275, 604276, 604277)
Part No. 600307



SHOULDER COLLAR
Part No. 600746



FAST RIVET
Replaces 603586
For use with Rivet Gun
Part No. 603580

Superior - List Industries, Inc.



LATCH HOOK
Part No. 807119



LATCH HOOK
Part No. 807100



PIVOT CLIP
(Old Style)
Part No. 807202



PIVOT CLIP
(Current Style)
Part No. 807304



COILED SPRING
Part No. 108650

LOCK BAR
Part No. 807038

When Ordering Specify:

- Door Height
- Welded or Knockdown Construction
- Locker Handle Part Number
- Year of manufacture



NYLON CATCH CLIP
Part No. 108651



RIVET
Part No. 807320



HINGE
Part No. 807110

LIFTER
Part No. 807045



RECESS HANDLE
(New Style)
Part No. 807050

POP RIVET
Part No. 807053

TRIGGER
Part No. 807055



Wilson



SPRING
Part No. 800153



DOOR JAMB
Part No. 800171



LOCKER HANDLE
Part No. 800185



LOCKER HANDLE
Part No. 800130



LATCH FINGER
Part No. 800295

RECESSED HANDLE
(New Style)
Part No. 808250



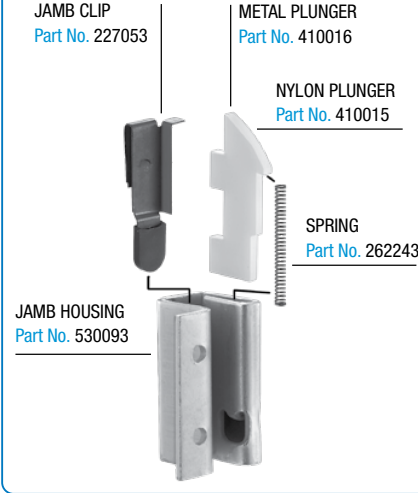
PADLOCK RECEIVER
Part No. 800160



Do you or one of your coworkers need a catalog? Call, write or Fax for a free copy!

Worley

COMPLETE JAMB ASSEMBLY Part No. 530100



RUBBER BUMPER
Part No. 301678



HANDLE-BUMPER
BOX ASSEMBLY
Part No. 530099



JAMB FOR GRAVITY LATCH
Part No. 530115

COMPLETE ASSEMBLY Part No. 420303



LOCKER HANDLE SCREW
8-32 x 5/16 ST
Part No. 703309



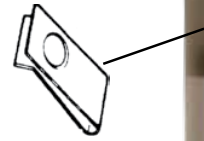
4-HOLE HINGE
(New Style)
Part No. 420016



LOCKER HANDLE
Part No. 900100

LOCKING BAR ASSEMBLY LOCKING BARS
INCLUDE TINNEMAN CLIP
Part No. 227047

TINNEMAN CLIP
Part No. 227047



Lock Bar Dimensions

PART NO.	ACTUAL LENGTH	LOCKER DOOR HEIGHT
532208	25-29/64"	30"
532223	31-23/64"	36"

LOCK BAR RIVET
(Old Style)



LOCK BAR RIVET
(New Style)
Part No. 421007



If in Doubt, Please Send a Sample

Telescopic Bleacher



Call for a Quote
& Brochure

FOR AN ACCURATE QUOTE PLEASE SPECIFY:

1. Bleacher Manufacturer.
2. Approximate Year Installed
3. How Many Sections Do You Have?
4. How Wide are the Sections?
5. How Many Rows High Are Your Bleachers?
6. Wood or Synthetic Gym Floor?
7. Are the Bleachers Portable?
8. Your Shipping Zip Code

Bleacher Buddy — Move Your Bleachers . . . with Ease!



Bleacher Buddy will help extend and stack your bleachers. The Bleacher Buddy will help to operate bleachers up to 30 rows high. Optional attaching brackets may be needed for some models of existing bleachers.

SPECIFICATIONS:

- 1/2 Horsepower Electric Motor
- Gear Ratio 144/1 (20' per minute)
- Forward and Reverse Capability
- 100' Long Cord Included
- Stand on Platform for Better Traction
- Additional Brackets may be Required
- 2-3 Weeks Delivery

BLEACHER BUDDY MOTOR

- 1/2 Horse Power
- RPM 1725
- Volts 115
- HZ 60

Part No. BBmotor

